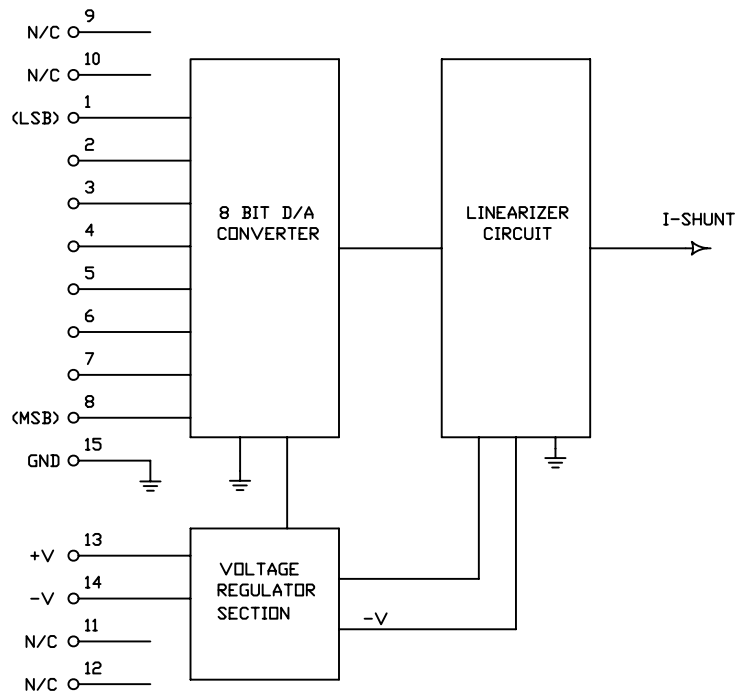


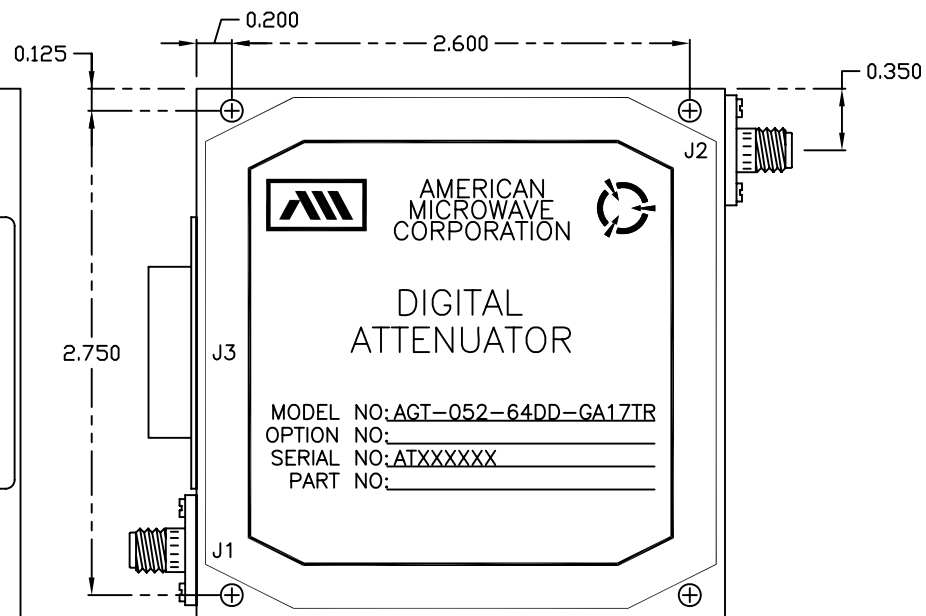
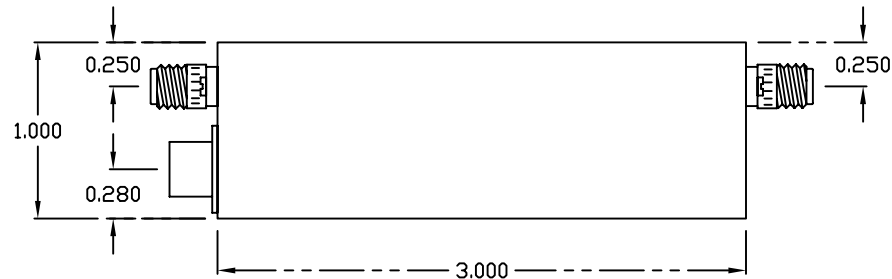
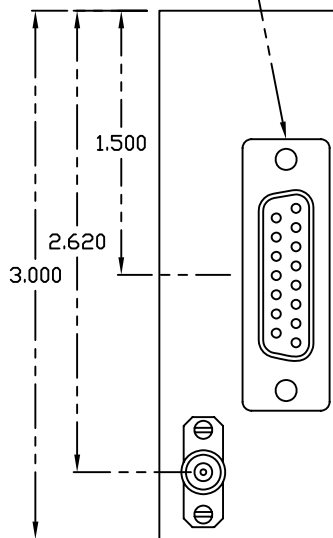
DESCRIPTION:

AMC MODEL AGT-052-64DD-GA17TR IS A TEMPERATURE COMPENSATED OCTAVE BAND VARIABLE ATTENUATOR / MODULATOR, CONTROLLED BY 8 BIT BINARY LOGIC AND OPTIMZED FOR 0.5 TO 2.0 GHz OPERATION.


REVISIONS				
ZONE	REV.	DESCRIPTION	DATE	APPROVED
	-	ORIGINAL RELEASE JOB #212223E-3	03/27/03	RA
	A	ECR#07-106	08/15/07	



ITT CANNON DA-15P OR EQUIVALENT MATING CONNECTOR DA15S OR EQUIVALENT SUPPLIED WITH THE UNIT



CONFIDENTIAL AND PROPRIETARY

PART NO.		 AMERICAN MICROWAVE CORPORATION FREDERICK, MARYLAND		
APPROVALS	DATE	TITLE		
DRAWN <i>KAB</i>	03/27/03	OUTLINE DRAWING AGT-052-64DD-GA17TR DIGITALLY VARIABLE ATTENUATORS		
CHECKED		SIZE	FSCM NO.	DWG NO.
ISSUED		A	60483	100-6573-000
		SCALE	SHEET	
		N:S	2 of 3	

DESCRIPTION:

AMC MODEL AGT-052-64DD-GA17TR IS A TEMPERATURE COMPENSATED OCTAVE BAND VARIABLE ATTENUATOR / MODULATOR, CONTROLLED BY 8 BIT BINARY LOGIC AND OPTIMZED FOR 0.5 TO 2.0 GHz OPERATION.

SPECIFICATIONS:

- FREQUENCY RANGE: 0.5 - 2.0 GHz
- INSERTION LOSS: 2.4 dB MAXIMUM
- VSWR: 1.75:1 MAXIMUM
- ATTENUATION DYNAMIC RANGE: 64 dB
- ATTENUATION ACCURACY: 0-10 dB ± 0.5 dB
10-20 dB ± 1.0 dB
20-30 dB ± 1.3 dB
30-40 dB ± 1.7 dB
40-64 dB ± 2.4 dB
- TEMPERATURE COEFFICIENT: ± 0.02 dB/ $^{\circ}$ C
- SWITHING TIME: 10 μ S MAXIMUM
- RF POWER RATINGS: 10 mW CW OPERATING
60 W PEAK OPERATING
1 W CW SURVIVAL
100 W PAEK SURVIVAL
- CONTROL: 8-BIT POSITIVE TRUE BINARY
- POWER SUPPLY: +15V DC @ +100mA MAXIMUM
-15V DC @ -100mA MAXIMUM
- CONNECTORS:
RF INPUT/OUTPUT: REMOVABLE SMA FEMALE
POWER & CONTROLS: SUBMINIATURE 15 PIN MALE CONNECTOR
MATING CONNECTOR FEMALE FURNISHED
- SIZE: 3.00" x 3.00" x 1.00"

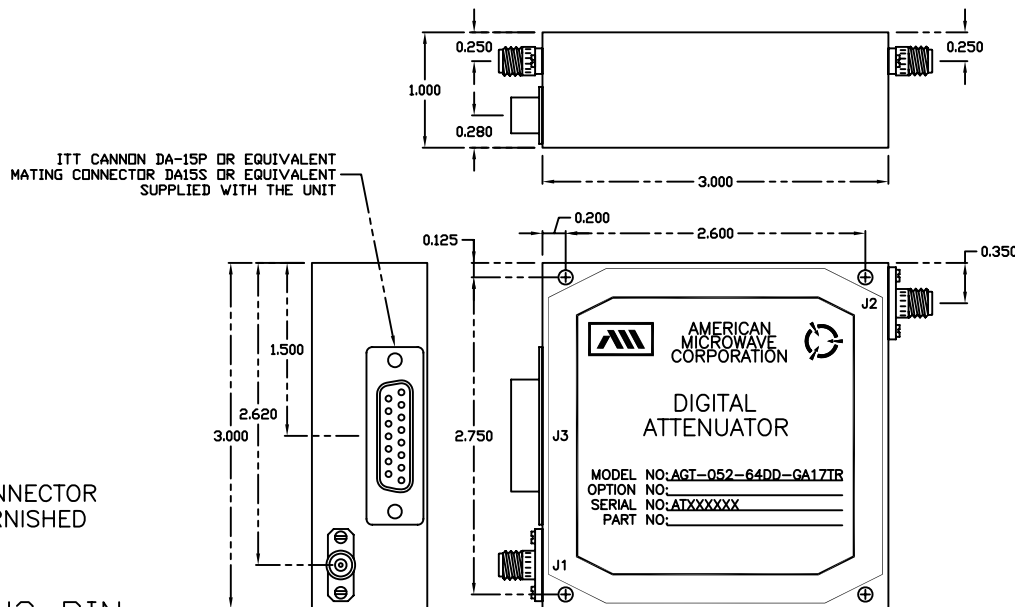
ENVIRONMENTAL RATINGS:

- TEMPERATURE: -55 $^{\circ}$ C TO +85 $^{\circ}$ C (OPERATING)
-65 $^{\circ}$ C TO +125 $^{\circ}$ C (STORAGE)
- HUMIDITY: MIL-STD-202F, METHOD 103B CONDITON B
- SHOCK: MIL-STD-202F, METHOD 312B CONDITON B
- VIBRATION: MIL-STD-202F, METHOD 204D CONDITON B
- ALTITUDE: MIL-STD-202F, METHOD 105C CONDITON B
- TEMPERATURE CYCLE: MIL-STD-202F, METHOD 107D CONDITON A

NOTE: THE ABOVE SPECIFICATIONS ARE SUBJECT TO CHANGE OR REVISION

REVISIONS				
ZONE	REV.	DESCRIPTION	DATE	APPROVED
	-	ORIGINAL RELEASE JOB #212223E-3	03/27/03	RA
	A	ECR#07-106	03/15/07	

MECHANICAL OUTLINE:



J3 PIN FUNCTION

PIN	FUNCTION
1	0.25dB(LSB)
2	0.5dB
3	1.0dB
4	2.0dB
5	4.0dB
6	8.0dB
7	16dB
8	32dB(MSB)
9	N/C
10	N/C
11	N/C
12	N/C
13	+15V
14	-15V
15	GND

ALL DIMENSIONS ARE IN INCHES [MM]
TOLERANCES:
X.XX ± 0.020
X.XXX ± 0.010

CONFIDENTIAL AND PROPRIETARY

PART NO.		AMERICAN MICROWAVE CORPORATION FREDERICK, MARYLAND	
APPROVALS	DATE	TITLE	
DRAWN <i>KAB</i>	03/27/03	PRODUCT FEATURE AGT-052-64DD-GA17TR DIGITALLY VARIABLE ATTENUATORS	
CHECKED		SIZE	FSCM NO.
ISSUED		A	60483
		DWG NO.	REV.
		100-6573-000	A
SCALE N:S		SHEET 1 of 3	